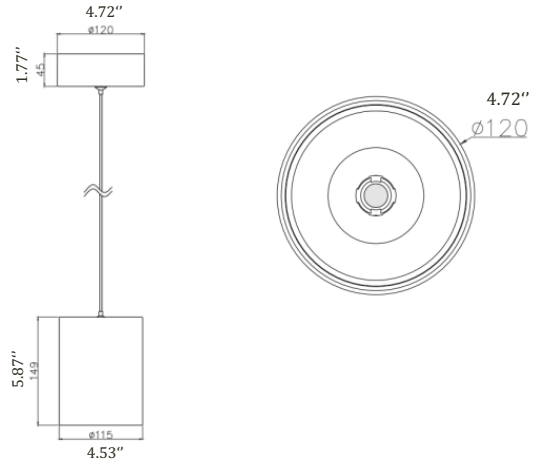


Series Name DL-05b Cylinder Pendant Light



Specification

CCT	3000K/4000K/5000K
Beam Angle	24°
SDCM	SDCM≤6
Color Rendering Index	Ra≥90
Wattage	20W
Input Voltage	AC100-277V
Dimming option	0-10V
Dimming depth	N/A
Life span	50000H
Light Source Type	LED (COB)
Number of light sources	1
Mounting Type	Surface Pendant
Thickness of ceiling	N/A
Material	Aluminum
Color	Black
Surface processes	Sand black
Net Weight (Piece)	1.215kg
Measurement	H5.86*D4.53 inch
IP Rating	IP20

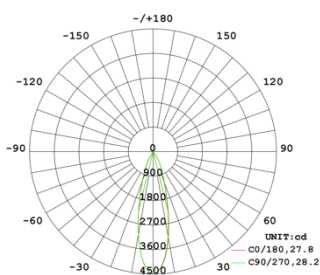
Description

The cylinder light incorporates an advanced die-casting procedure, ensuring reliable heat dissipation and optimal performance. Its profound anti-glare design, coupled with professional optics and precisely rounded spotlights, creates a visually comfortable and aesthetically pleasing lighting solution. The availability of multiple trim options allows for customization to suit various preferences and settings. Additionally, the inclusion of color consistency technology enhances the overall lighting experience, ensuring a uniform and harmonious color output.

Accessories Available



Photometric data



BEAM ANGLE	24°
WATTAGE	20W
MAX(cd)	4477cd
TOTAL FLUX	13001lm
UGR	UGR<13

H (m)	E (lx)	D (cm)
1	3092	49
2	772	98
3	343	148
4	193	197